



Pioneering for You

*HVAC OEM Competence Centre*

# Yonos PARA High Flow 50/12 Datasheet



**ErP**  
**READY** APPLIES TO EUROPEAN DIRECTIVE FOR ENERGY RELATED PRODUCTS

# Yonos PARA High Flow 50/12



## Field of application

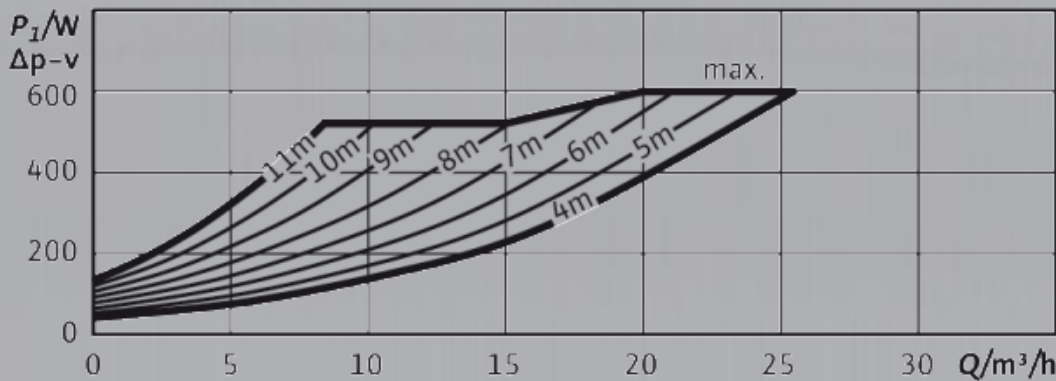
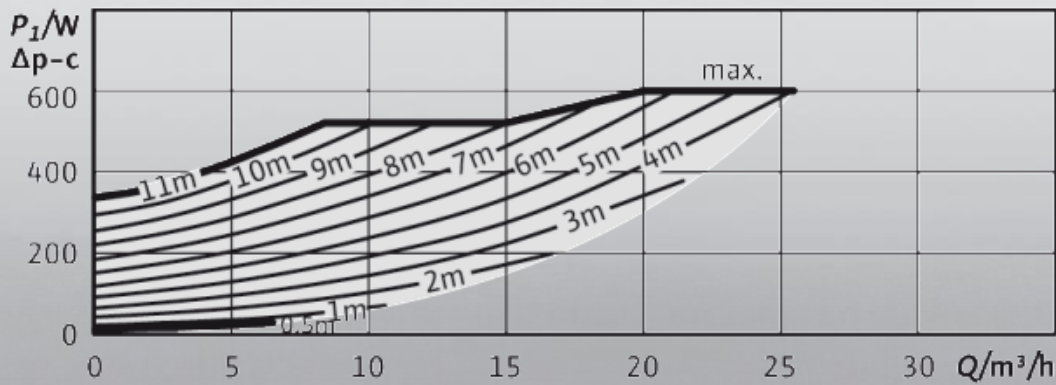
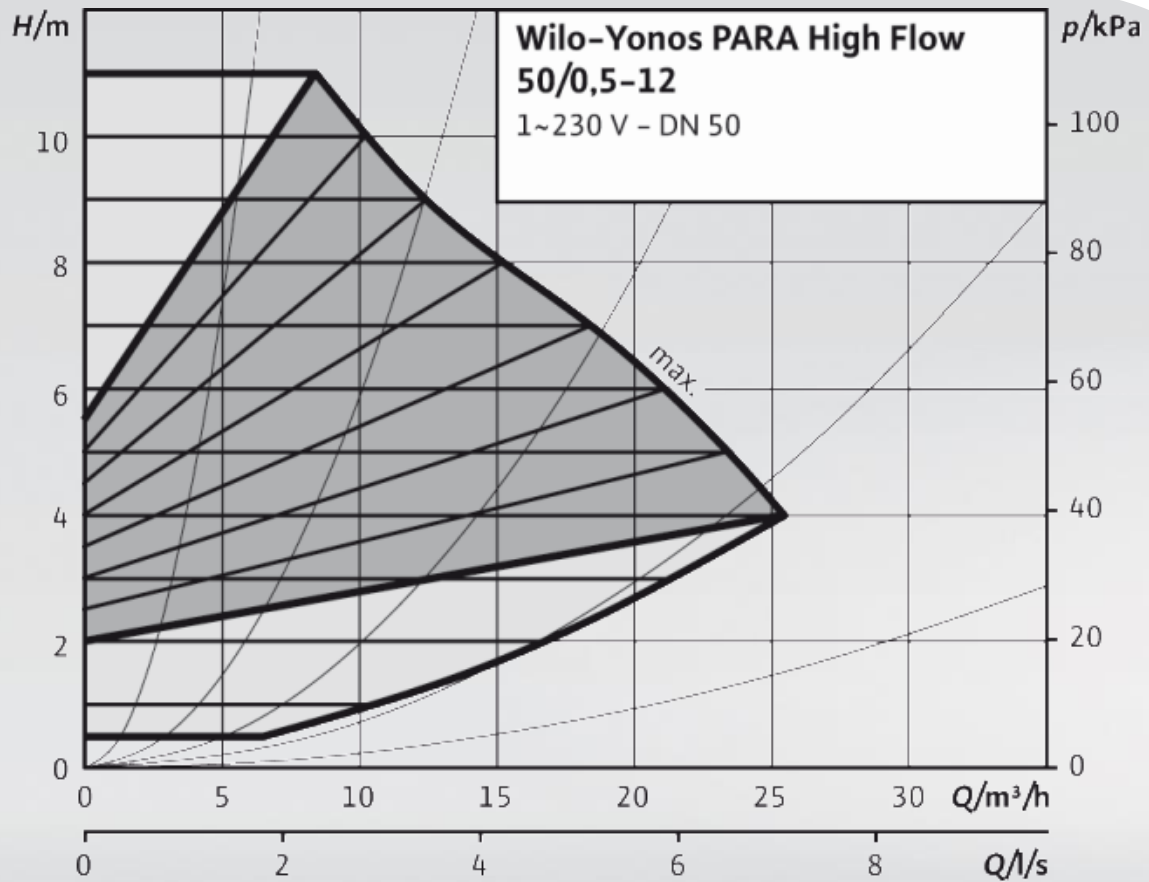
Hot-water heating systems of all kinds, air-conditioning systems, closed cooling circuits, industrial circulation systems.

### Yonos PARA High Flow 50/12

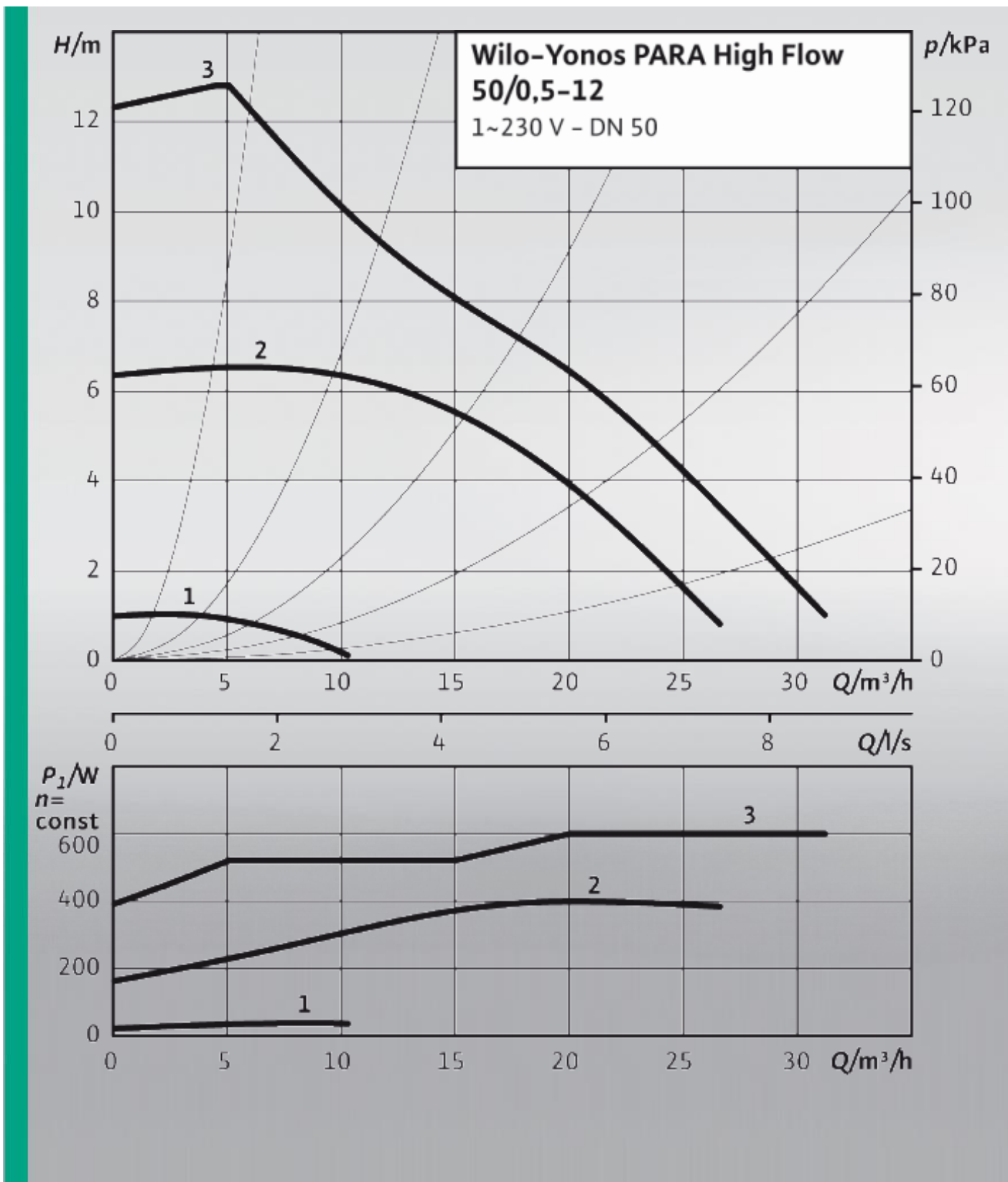
#### Yonos PARA High Flow Electronically controlled High Efficiency pump

50	Nominal flange connection DN 50
500	Rated power $P_2$ [W]
14	Weight approx. [kg]

# Hydraulic operational area $\Delta p-v$ / $\Delta p-c$ / constant speed

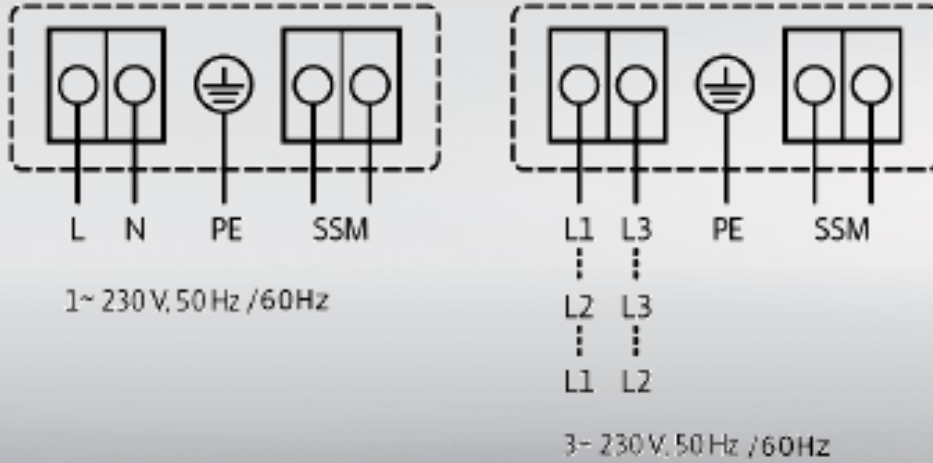


# Hydraulic operational area $\Delta p-v / \Delta p-c /$ constant speed



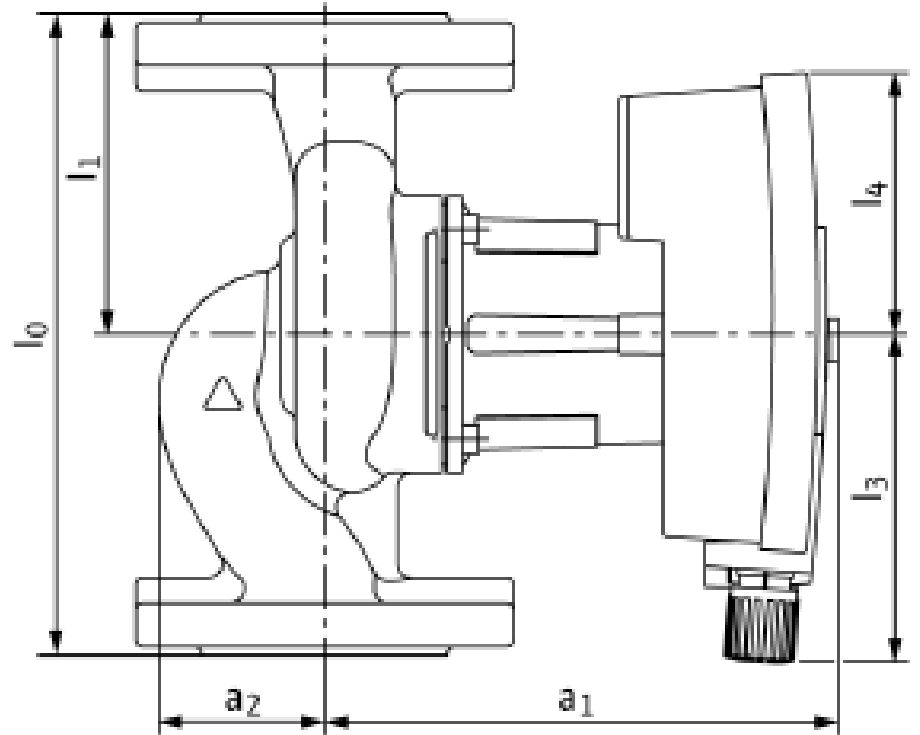
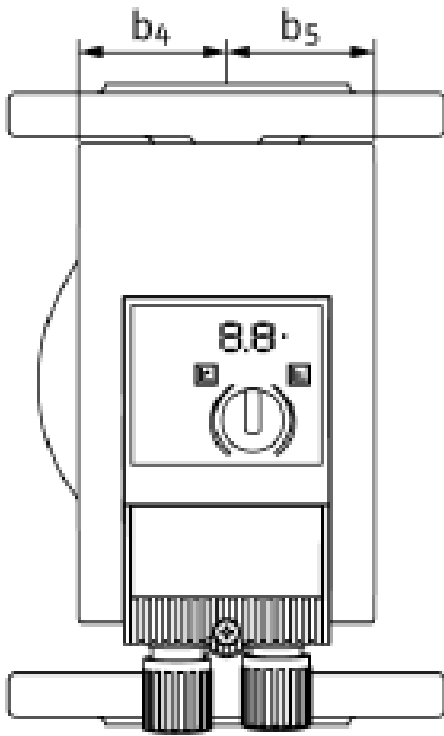
## Electrical connections

*wilo*

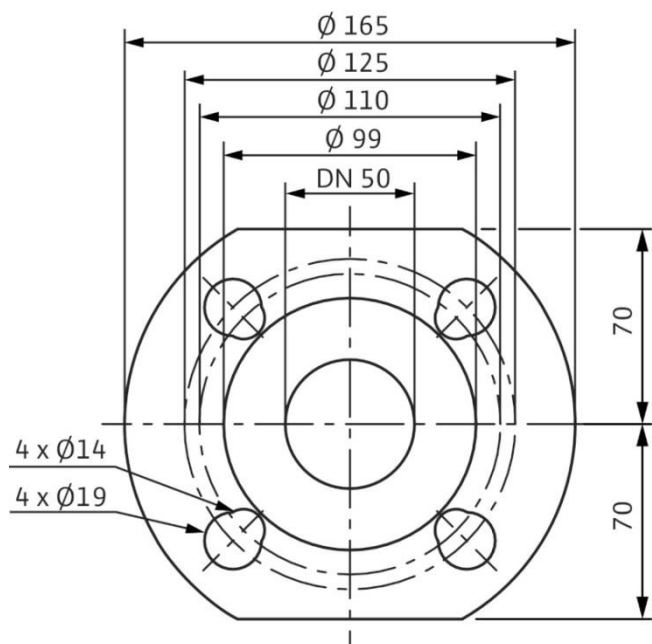




## Dimensions



	Dimensions (mm)
a1	318
a2	53
b4	71
b5	71
l0	280
l1	140
l3	152
l4	109



Approved fluids (other fluids on request)	Heating water (in accordance with VDI 2035) Water-glycol mixtures (max. 1:1; above 20% admixture, the pumping data must be checked)
--	--

**Power**

Energy Efficiency Index (EEI)	≤ 0,20
Max. delivery head	12 m
Max. volume flow	25 m <sup>3</sup> /h

**Permitted field of application**

Temperature range for applications in HVAC systems at max. ambient temperature. Limit values for continuous operation at maximum rated power	Fluid temperature -20°C to +110°C Ambient temperature -20°C to +40°C The pump is controlled by a power-limiting function that protects against overload.
Maximum static pressure	PN 10

**Electrical connection**

Mains connection	1~230V ± 10%, 50/60Hz, in accordance with DIN IEC 60038 3~230V ± 10%, 50/60Hz, in accordance with DIN IEC 60038
------------------	--

**Motor/electronics**

EC Machinery directive	2006/42/EG Conform
Electromagnetic compatibility	Directive 2004/108/EG
Emitted interference	EN 61000-6-3
Interference resistance	EN 61000-6-2
Protection class	IPx4D
Insulation class	F
RoHS / REACH	Not submitted

**Minimum suction head at suction port to avoid cavitation at water pumping temperature**

Minimum suction head at 50/95/110°C	5 / 12 / 18 m
-------------------------------------	---------------

**Motor data**

Yonos PARA High Flow	Speed	Power consumption 1-230 V	Current at 1-230 V	Motor protection
	n	P1	I	-
	rpm	W	A	-
50/12	950 - 4600	15 - 600	0.17 - 2,65	Integrated

**Materials**

Yonos PARA High Flow	Pump housing	Impeller	Pump shaft	Bearing
50/12	Grey cast iron (EN-GJL-250)	PPS composite with GF 40%	Stainless steel (X30Cr13)	Carbon, metal impregnated



Pioneering for You

WILO SE  
HVAC OEM Competence Centre

50 Avenue Eugene Casella  
18700 Aubigny-sur-Nère  
France  
T +33 2 48 81 62 62  
[information@wilo-oem.com](mailto:information@wilo-oem.com)  
[www.wilo-oem.com](http://www.wilo-oem.com)

Follow us on

